



Firephant[®]
DESIGNED FOR LIFE

by  **Kidde**
United Technologies

Safe to say,
the most beautiful.

Firephant

The most beautiful fire extinguisher in the world.



innovative bracket: simply and securely adheres to the wall



ergonomic shape, intuitive to use



single-handed operation for left- and right-handed users



award-winning design



Simply safer...



Patented bracket

Simply click into place using only one hand and release quickly in an emergency.

There's no need to hide the Firephant in a corner or in the basement! This new, beautiful fire extinguisher, with an award-winning design concept, is a pleasure to display in a prominent position. And precisely for that reason, it's immediately to hand in an emergency.

It's innovative, user-friendly functionality is self-explanatory: one hand, one push of a button, simply safer!



reddot design award
best of the best 2012



“Quality as perceived by the user.
Outstanding quality exceeds expectations.”

The Swedish Firephant designers,
Jonas Forsman and Lars Wettre

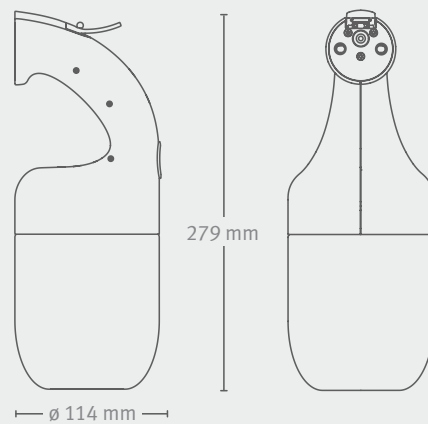
Firephant[®]

DESIGNED FOR LIFE

by  Kidde
United Technologies



Technical Data



Fire class	A B C
Rating	8 A 34 B C
Weight	2380 g
Colour	red
Certifications	CE, DIN EN3

Product reference

FPR1KG Firephant ● 1 kg fire extinguisher, designer

For more information or to contact Kidde Sales:

Email: sales@kiddesafety.co.uk · Tel 01753 766 392 · Website: kiddesafetyeurope.co.uk